



**Series KNX-55**

Electrically operated stainless steel valve, 3/2- and 5/2-way acc. to **NAMUR**, G1/4, 1050 to 1280 NI/min (1.067 to 1.301 Cv) 6.002

**Series KMX-09**

Electrically operated stainless steel valve, 5/2-way, G1/8, 1080 to 1110 NI/min (1.097 to 1.128 Cv) 6.004



**Series KMX-10**

Electrically operated stainless steel valve, 5/2- and 5/3-way, G1/4, 1770 to 1980 NI/min (1.799 to 2.012 Cv) 6.005

**Series PNX-55**

Pneumatically operated stainless steel valves, 3/2- and 5/2-way acc. to **NAMUR**, G1/4, 1050 to 1280 NI/min (1.067 to 1.301 Cv) 6.006

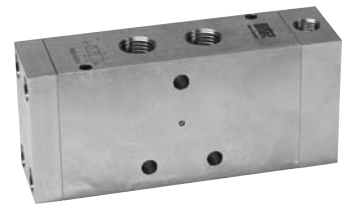


**Series PKX-09**

Pneumatically operated stainless steel valves, 5/2-way, G1/8, 1080 to 1110 NI/min (1.097 to 1.128 Cv) 6.007

**Series PKX-10**

Pneumatically operated stainless steel valves, 5/2- and 5/3-way, G1/4 and G1/8, 1770 to 1980 NI/min (1.799 to 2.012 Cv) 6.008



**Series ICK-09**

Low temperature valve, 5/2- and 5/3-way, G1/8, 680 to 950 NI/min (0.691 to 0.965 Cv) 6.009

**Series ICK-10**

Low temperature valve, 5/2- and 5/3-way, G1/4, 1500 to 2100 NI/min (1.524 to 2.134 Cv) 6.010



**Series ICKN-55**

Low temperature valve, 3/2-, 5/2- and 5/3-way acc. to **NAMUR**, G1/4, 680 to 900 NI/min (0.691 to 0.915 Cv) 6.011

6

# Series KNX-55

Electrically operated stainless steel valve, 3/2- and 5/2-way acc. to NAMUR  
G1/4 • 1050 to 1280 NI/min (1.067 to 1.301 Cv)



## Order code

KNX-55-311-HN-742

Series and function

Coil options

### Coils with higher humidity resistance

**742** = 24 V DC, 2.5 W without plug socket  
**722** = 24 V AC, 8.9 VA without plug socket  
**711** = 12 V DC, 5.5 W without plug socket  
**726** = 115 V AC, 8.7 VA without plug socket  
**727** = 230 V AC, 7.9 VA without plug socket

**500** = Without coil and plug socket

### Coils with M12 connector and LED

**O62** = 24 V DC, 2.5 W

Plug socket(s) not included in scope of delivery (see page 6.002).

## Design, function and technical data

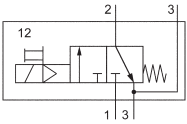
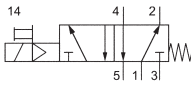
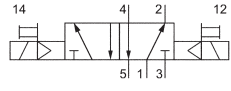
Spool valve for single acting and double acting actuators switched by an electrical signal.

The exhaust air is guided into the spring chamber of the actuator. The locating pin, screws and seals are included.

For outdoor applications or in areas with high humidity use coil 23-SP-011-1 or 23-SP-012-1 (see page 4.280).

Please specify required control voltage when ordering.

Valves of this series are available in explosion proof design in accordance with 94/9/EG (ATEX). For further details see chapter 13 of this catalogue.

Order number Please complete according to order code.	KNX-55-311-HN	KNX-55-511-HN	KNX-55-520-HN
Function	 3/2-way, normally closed single solenoid, spring return	 5/2-way single solenoid spring return	 5/2-way double solenoid
Connection	G 1/4 at 1 and 3; flange to NAMUR at 2 and 3	G 1/4 at 1, 3 and 5; flange to NAMUR at 2 and 4	
Nominal size	6 mm		
Flow rate	1280 NI/min (1.301 Cv)	1060 NI/min (1.077 Cv)	1050 NI/min (1.067 Cv)
Pressure range	3 ... 10 bar (43.5 ... 145 psi)		
Actuating force at 6 bar	on 13 ms off 47 ms	on 12 ms off 74 ms	14 ms
Temperature range	- 30 °C ... + 80 °C (- 22 °F ... + 176 °F)		
Materials	Body: 1.4571, Inner parts: 1.4305, Seals: PU, NBR		
Degree of protection	IP 65 according to EN 60529		
Medium	Compressed air in accordance with ISO 8573-1:2001 Class 74-; free of aggressive additives		
Weight	0.670 kg (1.477 lbs.)	0.660 kg (1.455 lbs.)	0.720 kg (1.587 lbs.)

## Solenoid coils, actuators

Solenoid coils	23-SP-011-1-...	Humidity resistant coil	page 4.280
	23-SP-012-1-...	Humidity resistant coil with 2,5 W power consumption	page 4.280
	23-SP-011-5-O12	Coil with M12 plug connection, 4,8 W, LED and circuit protection	page 4.282
	23-SP-012-5-O32	Coil with M12 plug connection, 2,5 W, LED and circuit protection	page 4.282
	☉-explosion proof	Valves with explosion proof actuator see chapter 13	
Actuators	23-R-032	Actuator in stainless steel	
	23-R-023	Actuator for low temperature	
Plug sockets	28-ST-01	Standard plug socket	page 4.283
	28-ST-04-...	Plug socket with LED	page 4.283
	28-ST-06-...	Plug socket with LED and circuit protection	page 4.283
	28-ST-06-K3-...	Plug socket with LED, circuit protection and cable	page 4.283

## User information

Make sure that the coils with the right power consumption are used.

## The following types are available on request

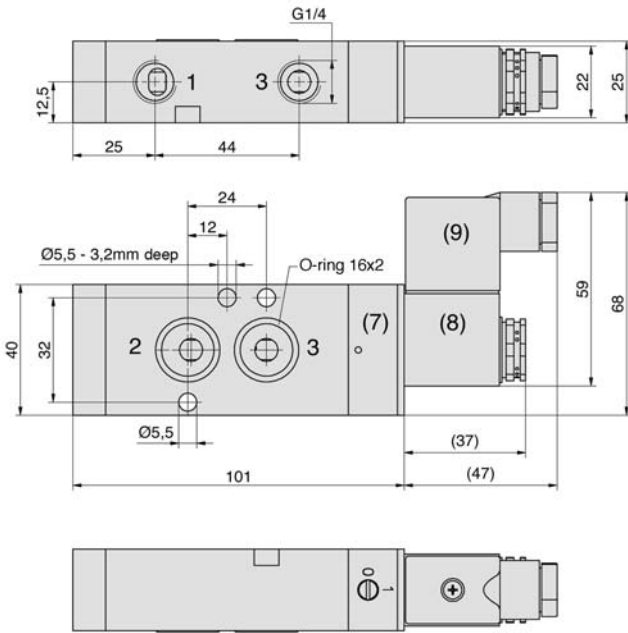
Coils and sockets with contacts according to DIN EN 175301-803 type B (U-form). Plug sockets with molded cable.

# Series KNX-55

Electrically operated stainless steel valve, 3/2- and 5/2-way acc. to NAMUR  
 G1/4 • 1050 to 1280 NI/min (1.067 to 1.301 Cv)

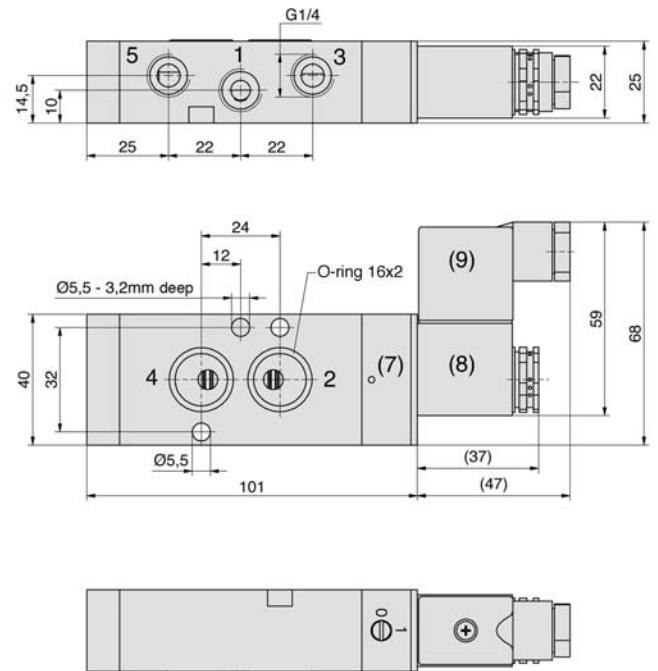


## KNX-55-311-HN



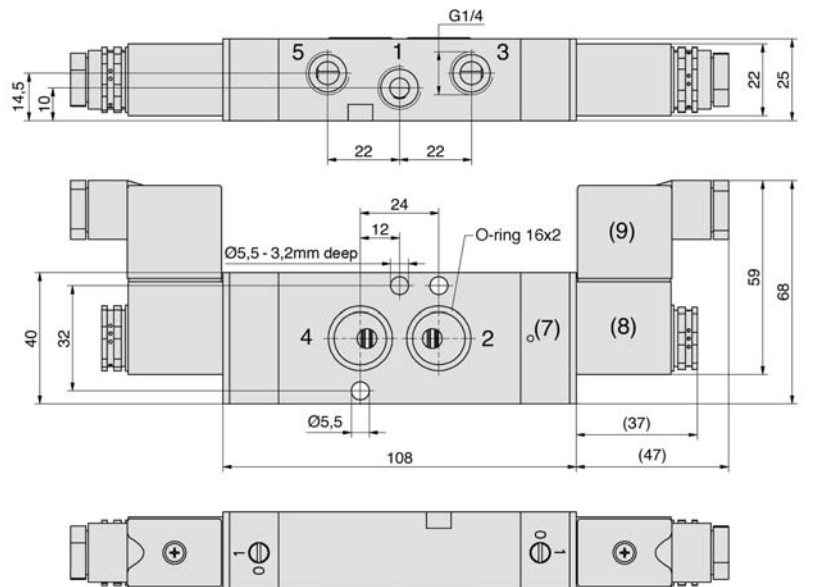
- 1 = pressure inlet
- 2 = outlets
- 3 = exhausts
- (7) = manual override (detent)  
can be repositioned by 180°
- (8) = solenoid coil can be repositioned 4 x 90°
- (9) = plug socket can be repositioned by 180°

## KNX-55-511-HN



- 1 = pressure inlet
- 2, 4 = outlets
- 3, 5 = exhausts
- (7) = manual override (detent)  
can be repositioned by 180°
- (8) = solenoid coil can be repositioned 4 x 90°
- (9) = plug socket can be repositioned by 180°

## KNX-55-520-HN



- 1 = pressure inlet
- 2, 4 = outlets
- 3, 5 = exhausts
- (7) = manual override (detent)  
can be repositioned by 180°
- (8) = solenoid coil can be repositioned 4 x 90°
- (9) = plug socket can be repositioned by 180°

# Series KMX-09

Electrically operated stainless steel valve, 5/2-way  
G1/8 • 1080 to 1110 NI/min (1.097 to 1.128 Cv)



## Order code

KMX-09-511-HN-742

Series and function

Coil options

### Coils with higher humidity resistance

742 = 24 V DC, 2,5 W without plug socket

722 = 24 V AC, 8,9 VA without plug socket

711 = 12 V DC, 5,5 W without plug socket

726 = 115 V AC, 8,7 VA without plug socket

727 = 230 V AC, 7,9 VA without plug socket

500 = Without coil and plug socket

### Coils with M12 connector and LED

O62 = 24 V DC, 2,5 W

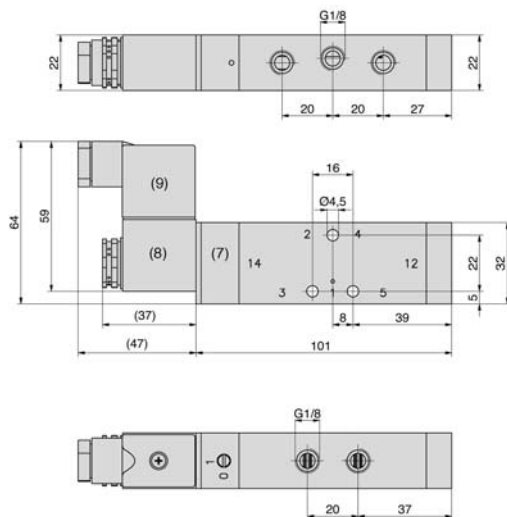
Plug socket(s) not included in scope of delivery (see page 6.002).

## Design, function and technical data

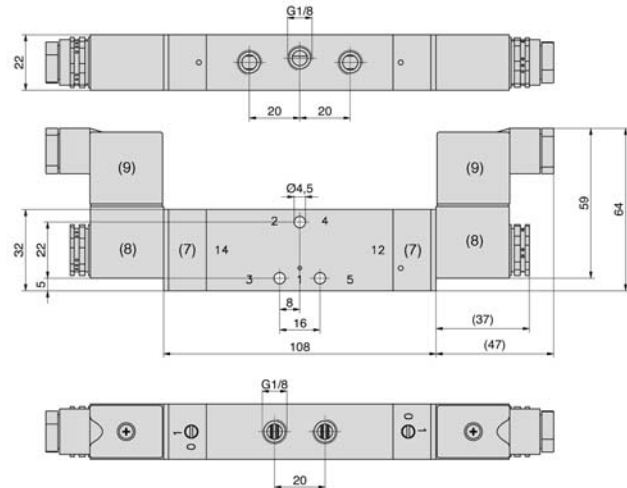
Spool valve actuated by an electrical signal. Please specify required control voltage when ordering.

Valves of this series are available in explosion proof design in accordance with 94/9/EG (ATEX). For further details see chapter 13 of this catalogue.

### KMX-09-511-HN



### KMX-09-520-HN



- 1 = pressure inlet
- 2, 4 = outlets
- 3, 5 = exhausts

- (7) = manual override (detent) can be repositioned by 180°
- (8) = solenoid coil can be repositioned 4 x 90°
- (9) = plug socket can be repositioned by 180°

Order number	KMX-09-511-HN	KMX-09-520-HN
Please complete according to order code.		
Function	5/2-way single solenoid, spring return	5/2-way double solenoid
Connection	G1/8	
Nominal size	6 mm	
Flow rate	1080 NI/min (1.097 Cv)	1110 NI/min (1.128 Cv)
Pressure range	3 ... 10 bar (43.5 ... 145 psi)	
Actuating force at 6 bar	on 13 ms off 34 ms	11 ms
Temperature range	- 30 °C ... + 80 °C (- 22 °F ... + 176 °F)	
Materials	Body: 1.4571, Inner parts: 1.4305, Seals: PU, NBR	
Degree of protection	IP 65 according to EN 60529	
Medium	Compressed air in accordance with ISO 8573-1:2001 Class 74-; free of aggressive additives	
Weight	0.500 kg (1.102 lbs.)	0.510 kg (1.124 lbs.)

# Series KMX-10

Electrically operated stainless steel valve, 5/2- and 5/3-way  
G1/4 • 1770 to 1980 NI/min (1.799 to 2.012 Cv)



Order code

KMX-10-511-HN-742

Series and function

Coil options

Plug socket(s) not included in scope of delivery (see page 6.002).

**Coils with higher humidity resistance**

- 742 = 24 V DC, 2.5 W without plug socket
- 722 = 24 V AC, 8.9 VA without plug socket
- 711 = 12 V DC, 5.5 W without plug socket
- 726 = 115 V AC, 8.7 VA without plug socket
- 727 = 230 V AC, 7.9 VA without plug socket

500 = Without coil and plug socket

**Coils with M12 connector and LED**

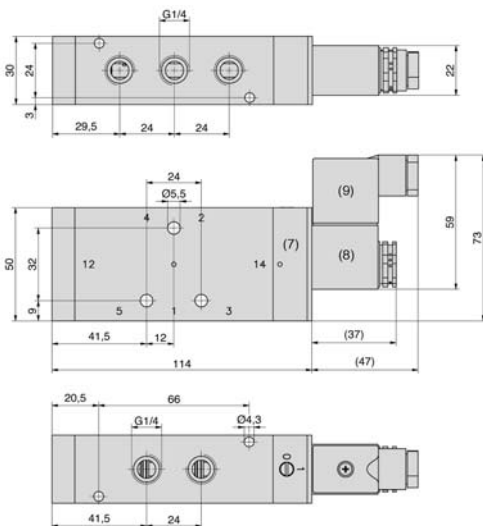
O62 = 24 V DC, 2.5 W

**Design, function and technical data**

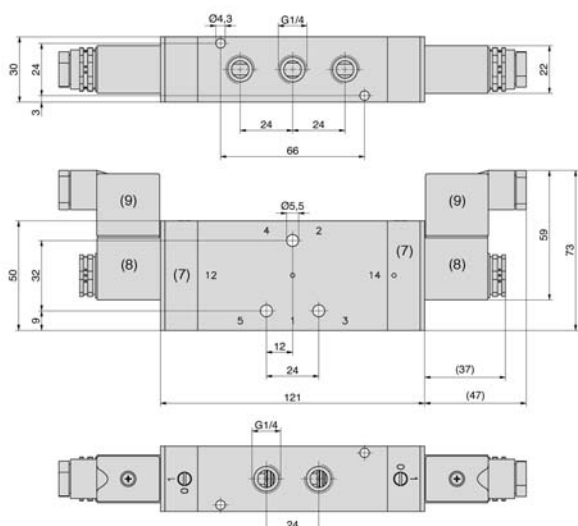
Spool valve actuated by an electrical signal. Please specify required control voltage when ordering.

Valves of this series are available in explosion proof design in accordance with 94/9/EG (ATEX). For further details see chapter 13 of this catalogue.

**KMX-10-511-HN**

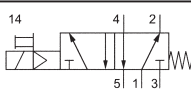
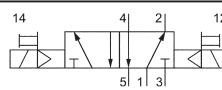
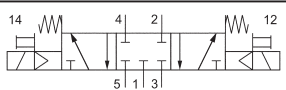


**KMX-10-520-HN, KMX-10-530-HN**



- 1 = pressure inlet
- 2, 4 = outlets
- 3, 5 = exhausts

- (7) = manual override (detent) can be repositioned by 180°
- (8) = solenoid coil can be repositioned 4 x 90°
- (9) = plug socket can be repositioned by 180°

Order number Please complete according to order code.	KMX-10-511-HN	KMX-10-520-HN	KMX-10-530-HN
Function	 5/2-way single solenoid, spring return	 5/2-way double solenoid	 5/3-way center position closed
Connection	G1/4		
Nominal size	8 mm		
Flow rate	1980 NI/min (2.012 Cv)	1920 NI/min (1.951 Cv)	1770 NI/min (1.799 Cv)
Pressure range	3 ... 10 bar (43.5 ... 145 psi)		
Actuating force at 6 bar	on 10 ms off 55 ms	10 ms	34 ms
Temperature range	- 30 °C ... + 80 °C (- 22 °F ... + 176 °F)		
Materials	Body: 1.4571, Inner parts: 1.4305, Seals: PU, NBR		
Degree of protection	IP 65 according to EN 60529		
Medium	Compressed air in accordance with ISO 8573-1:2001 Class 74-; free of aggressive additives		
Weight	1.160 kg (2.557 lbs.)	1.250 kg (2.756 lbs.)	1.240 kg (2.734 lbs.)

# Series PNX-55

Pneumatically operated stainless steel valves, 3/2- and 5/2-way acc. to NAMUR  
G1/4 • 1050 to 1280 NI/min (1.067 to 1.301 Cv)

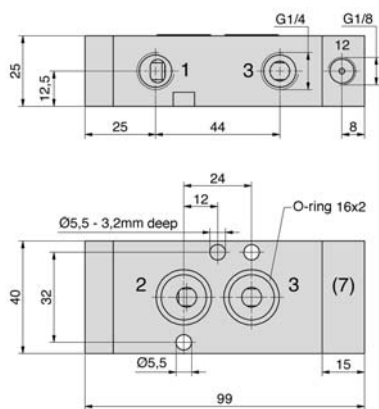


### Design, function and technical data

Pneumatically operated spool valve. The valve switches upon pressurization of the pilot port (12 or 14).

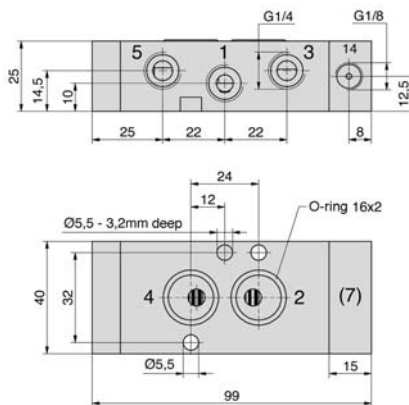
Valves of this series are available in explosion proof design in accordance with 94/9/EG (ATEX). For further details see chapter 12 of this catalogue.

#### PNX-55-311



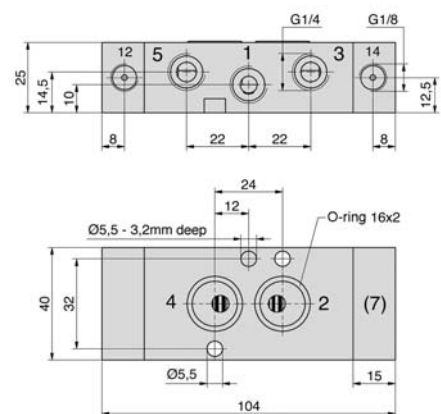
- 1 = pressure inlet
- 2 = outlets
- 3 = exhausts
- (7) = The pilot port can be repositioned by (180°).

#### PNX-55-511

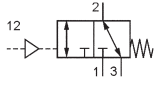
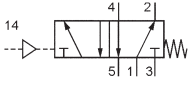
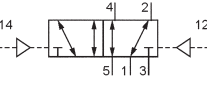


- 1 = pressure inlet
- 2, 4 = outlets
- 3, 5 = exhausts
- (7) = The pilot port can be repositioned by (180°).

#### PNX-55-520



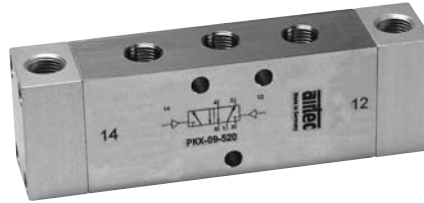
- 1 = pressure inlet
- 2, 4 = outlets
- 3, 5 = exhausts
- (7) = The pilot port can be repositioned by (180°).

Order number	PNX-55-311	PNX-55-511	PNX-55-520
Function	 3/2-way, normally closed single solenoid, spring return	 5/2-way single solenoid spring return	 5/2-way double solenoid
Connection	G1/4 at 1 and 3; Flansch acc. to NAMUR at 2 and 3; Pilot port: G1/8	G1/4 at 1, 3 and 5; Flansch acc. to NAMUR at 2 and 4; Pilot port: G1/8	
Nominal size	6 mm		
Flow rate	1280 NI/min (1.301 Cv)	1060 NI/min (1.077 Cv)	1050 NI/min (1.067 Cv)
Working pressure range	3 ... 10 bar (43.5 ... 145 psi)		
Pilot pressure range	equivalent to working pressure		
Temperature range	- 30 °C ... + 80 °C (- 22 °F ... + 176 °F)		
Materials	Body: 1.4571, Inner parts: 1.4305, Seals: PU, NBR		
Medium	Compressed air in accordance with ISO 8573-1:2001 Class 74-; free of aggressive additives		
Weight	0.640 kg (1.411 lbs.)	0.630 kg (1.389 lbs.)	0.660 kg (1.455 lbs.)



# Series PKX-09

Pneumatically operated stainless steel valves, 5/2-way  
G1/8 • 1080 to 1110 NI/min (1.097 to 1.128 Cv)

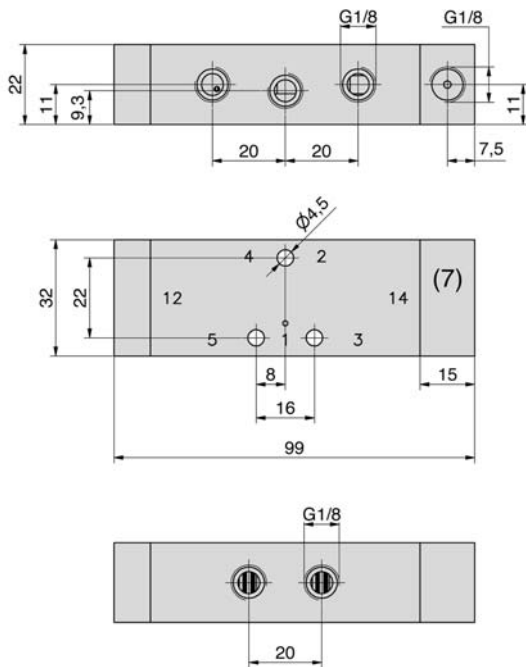


### Design, function and technical data

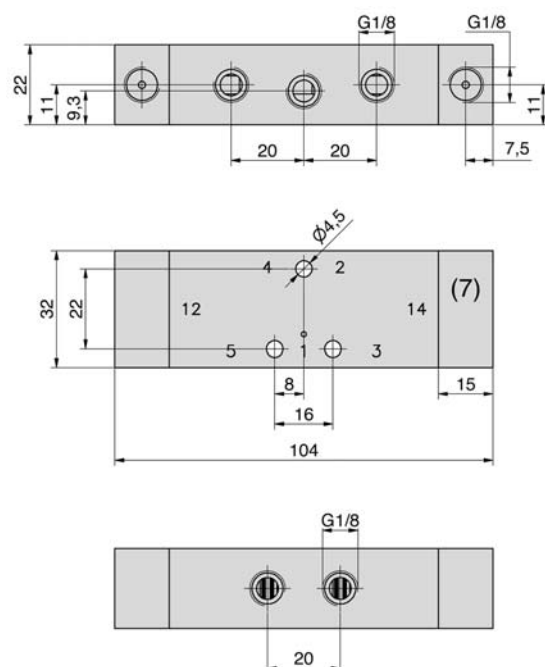
Pneumatically operated spool valve. The valve switches upon pressurization of the pilot port (12 or 14).

Valves of this series are available in explosion proof design in accordance with 94/9/EG (ATEX). For further details see chapter 13 of this catalogue.

#### PKX-09-511



#### PKX-09-520



- 1 = pressure inlet
- 2, 4 = outlets
- 3, 5 = exhausts

- 14 = pilot port
- (7) = The pilot port can be repositioned by (180°).

Order number	PKX-09-511	PKX-09-520
Function	<p>5/2-way single solenoid, spring return</p>	<p>5/2-way double solenoid</p>
Connection	G1/8	
Nominal size	6 mm	
Flow rate	1080 NI/min (1.097 Cv)	1110 NI/min (1.128 Cv)
Working pressure range	3 ... 10 bar (43.5 ... 145 psi)	
Pilot pressure range	equivalent to working pressure	
Temperature range	- 30 °C ... + 80 °C (- 22 °F ... + 176 °F)	
Materials	Body: 1.4571, Inner parts: 1.4305, Seals: PU, NBR	
Medium	Compressed air in accordance with ISO 8573-1:2001 Class 74-; free of aggressive additives	
Weight	0.450 kg (0.992 lb.)	0.460 kg (1.014 lbs.)

# Series PKX-10

Pneumatically operated stainless steel valves, 5/2- and 5/3-way  
G1/4 • 1770 to 1980 NI/min (1.799 to 2.012 Cv)

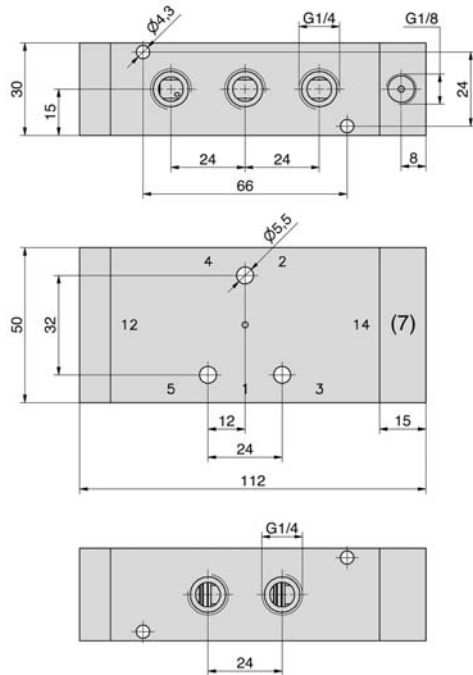


## Design, function and technical data

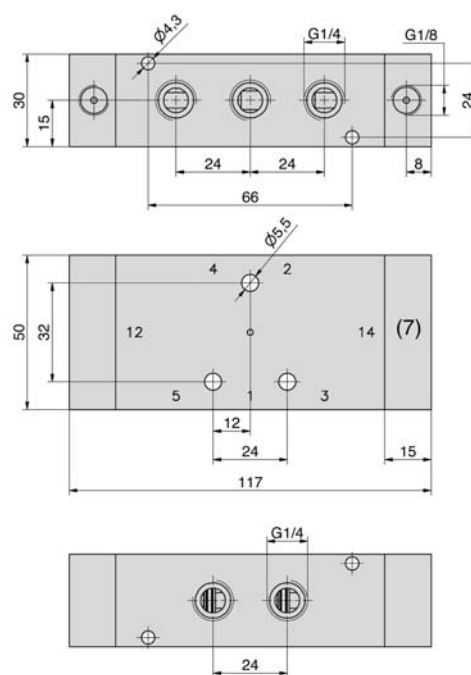
Pneumatically operated spool valve. The valve switches upon pressurization of the pilot port (12 or 14).

Valves of this series are available in explosion proof design in accordance with 94/9/EG (ATEX). For further details see chapter 13 of this catalogue.

### PKX-10-511



### PKX-10-520, PKX-10-530



- 1 = pressure inlet
- 2, 4 = outlets
- 3, 5 = exhausts

- 14 = pilot port
- (7) = The pilot port can be repositioned by (180°).

Order number	PKX-10-511	PKX-10-520	PKX-10-530
Function	 5/2-way single solenoid, spring return	 5/2-way double solenoid	 5/3-way center position closed
Connection	G1/4, Pilot port G1/8		
Nominal size	8 mm		
Flow rate	1980 NI/min (2.012 Cv)	1920 NI/min (1.951 Cv)	1770 NI/min (1.799 Cv)
Working pressure range	3 ... 10 bar (43.5 ... 145 psi)		
Pilot pressure range	equivalent to working pressure		
Temperature range	- 30 °C ... + 80 °C (- 22 °F ... + 176 °F)		
Materials	Body: 1.4571, Inner parts: 1.4305, Seals: PU, NBR		
Medium	Compressed air in accordance with ISO 8573-1:2001 Class 74-; free of aggressive additives		
Weight	1.120 kg (2.469 lbs.)	1.170 kg (2.579 lbs.)	1.160 kg (2.557 lbs.)



# Series ICK-09

Low temperature valve, 5/2- and 5/3-way  
G1/8 • 680 to 950 NI/min (0.691 to 0.965 Cv)



Order code

ICK-09-511-HN-742

Coil options<sup>1)</sup>

Series and function

Standard coil <sup>2)</sup>		Without coil and plug socket	
HN at ports 2 + 4	HN at ports 1, 3 + 5	HN at ports 2 + 4	HN at ports 1, 3 + 5
742 24 V DC, 4.8 W	712	560 Power consumption 2.5 W	530
752 24 V AC, 7/4 VA	722	<b>Coils with M12 connector and LED</b>	
756 115 V AC, 7/4 VA	726	HN at ports 2 + 4	HN at ports 1, 3 + 5
757 230 V AC, 7/4 VA	727	O62 24 V DC, 2.5 W	O32
762 24 V DC, 2.5 W	732		

<sup>1)</sup> HN = Manual override. It can be repositioned by 180°. Manual override (HN) is on the side of ports 2 and 4 by default. It can be easily repositioned by 180° (side of ports 1, 3 and 5).

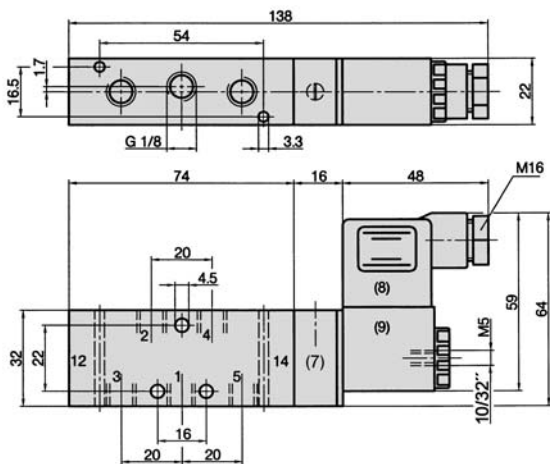
<sup>2)</sup> Plug socket(s) not included in scope of delivery (see page 6.002).

### Design, function and technical data

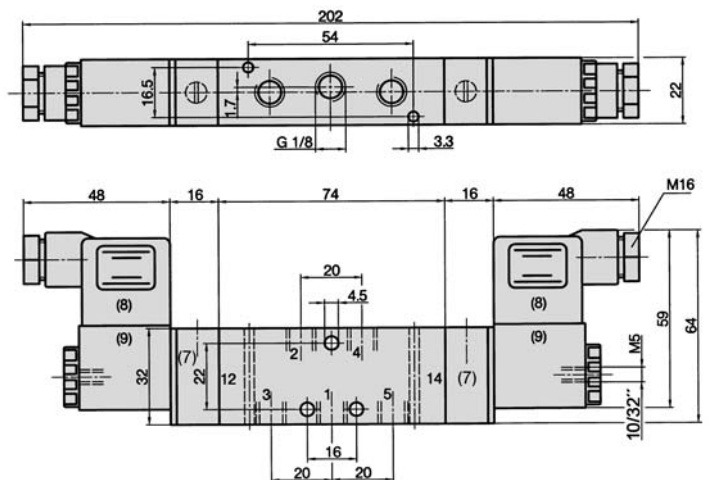
Spool valve actuated by an electrical signal. Please specify required control voltage when ordering.

Other voltages on request.

#### ICK-09-511-HN



#### ICK-09-520-HN, ICK-09-530-HN



- 1 = pressure inlet
- 2, 4 = outlets
- 3, 5 = exhausts

- (7) = manual override (detent) can be repositioned by 180°
- (8) = plug socket can be repositioned by 180°
- (9) = solenoid coil can be repositioned 4 x 90°

Order number	ICK-09-511-HN	ICK-09-520-HN	ICK-09-530-HN
Please complete according to order code.			
Function	5/2-way single solenoid spring return	5/2-way double solenoid	5/3-way center position closed
Connection	G1/8		
Nominal size	6 mm		
Flow rate	810 NI/min (0.823 Cv)	950 NI/min (0.965 Cv)	680 NI/min (0.691 Cv)
Pressure range	3 ... 8 bar (43.5 ... 116 psi)		
Actuating force at 6 bar	on 13 ms off 28 ms	15 ms	on 14 ms off 16 ms
Temperature range	- 30 °C ... + 50 °C (- 22 °F ... + 122 °F)		
Materials	Body: Al (anodized), Seals: FKM, Inner parts: Al, stainless steel, brass		
Medium	Compressed air in accordance with ISO 8573-1:2001, Class 74-; free of aggressive additives		
Degree of protection	IP 65 according to EN 60529		
Weight	0.231 kg (0.509 lbs)	0.330 kg (0.727 lb)	

# Series ICK-10

Low temperature valve, 5/2- and 5/3-way  
G1/4 • 1500 to 2100 NI/min (1.524 to 2.134 Cv)



## Order code

ICK-10-510-HN-742

### Coil options<sup>1)</sup>

Series and function

#### Standard coil<sup>2)</sup>

Series and function	HN at ports 2 + 4	HN at ports 1, 3 + 5
742	24 V DC, 4.8 W	712
752	24 V AC, 7/4 VA	722
756	115 V AC, 7/4 VA	726
757	230 V AC, 7/4 VA	727
762	24 V DC, 2.5 W	732

#### Without coil and plug socket

Series and function	HN at ports 2 + 4	HN at ports 1, 3 + 5
560	Power consumption 2.5 W	530

#### Coils with M12 connector and LED

Series and function	HN at ports 2 + 4	HN at ports 1, 3 + 5
O62	24 V DC, 2.5 W	O32

<sup>1)</sup> HN = Manual override. It can be repositioned by 180°. Manual override (HN) is on the side of ports 2 and 4 by default. It can be easily repositioned by 180° (side of ports 1, 3 and 5).

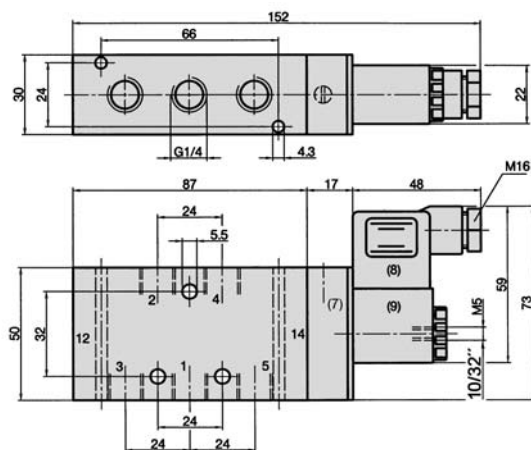
<sup>2)</sup> Plug socket(s) not included in scope of delivery (see page 6.002).

### Design, function and technical data

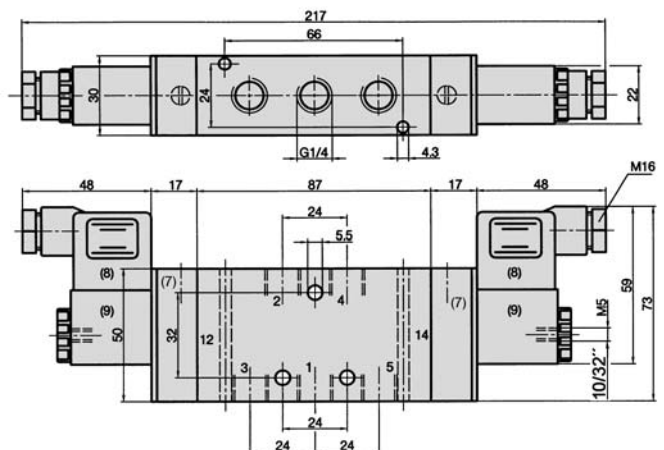
Spool valve actuated by an electrical signal. Please specify required control voltage when ordering.

Other voltages on request.

#### ICK-10-511-HN



#### ICK-10-520-HN, ICK-10-530-HN



1 = pressure inlet

2, 4 = outlets

3, 5 = exhausts

(7) = manual override (detent) can be repositioned by 180°

(8) = plug socket can be repositioned by 180°

(9) = solenoid coil can be repositioned 4 x 90°

Order number	ICK-10-511-HN	ICK-10-520-HN	ICK-10-530-HN
Please complete according to order code.			
Function	5/2-way single solenoid spring return	5/2-way double solenoid	5/3-way center position closed
Connection	G1/4		
Nominal size	9 mm		
Flow rate	1800 NI/min (1.829 Cv)	2100 NI/min (2.134 Cv)	1500 NI/min (1.524 Cv)
Pressure range	2.5 ... 8 bar (36.25 ... 116 psi)		3 ... 8 bar (43.5 ... 116 psi)
Actuating force at 6 bar	on 16 ms off 27 ms	18 ms	on 16 ms off 22 ms
Temperature range	- 30 °C ... + 50 °C (- 22 °F ... + 122 °F)		
Materials	Body: Al (anodized), Seals: FKM, Inner parts: Al, stainless steel, brass		
Medium	Compressed air in accordance with ISO 8573-1:2001 Class 74-; free of aggressive additives		
Degree of protection	IP 65 according to EN 60529		
Weight	0.470 kg (1.036 lbs)	0.630 kg (1.389 lbs)	

# Series ICKN-55

Low temperature valve, 3/2-way acc. to NAMUR  
G1/4 • 780 NI/min (0.793 Cv)



## Order code

ICKN-55-310-HN-742

Series and function

Coil options

**Standard coil<sup>1)</sup>**

742 = 24 V DC, 4.8 W  
752 = 24 V AC, 7/4 VA  
756 = 115 V AC, 7/4 VA  
757 = 230 V AC, 7/4 VA  
762 = 24 V DC, 2.5 W

**Without coil and plug socket**

560 = Power consumption 2.5 W

**Coils with M12 connector and LED**

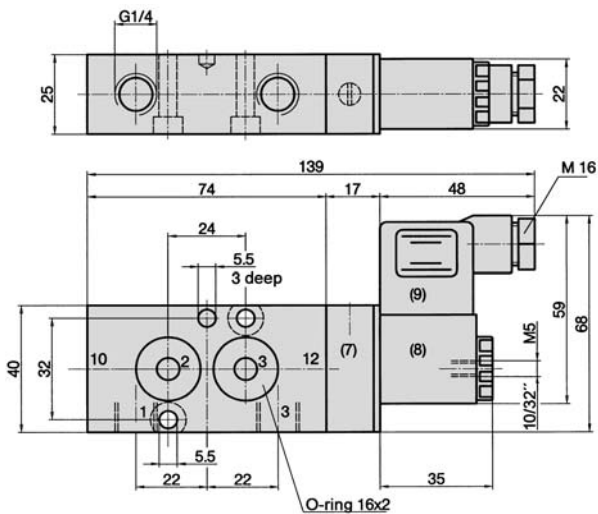
O62 = 24 V DC, 2.5 W

<sup>1)</sup> Plug socket(s) not included in scope of delivery (see page 6.002).

### Design, function and technical data

Spool valve for single acting actuators switched by an electrical signal.  
The exhaust air is guided into the spring chamber of the actuator.  
The locating pin, screws and seals are included.  
Other voltages on request.

## ICKN-55-310-HN, ICKN-55-311-HN



- 1 = pressure inlet
- 2 = outlets
- 3 = exhausts
- (7) = manual override (detent) can be repositioned by 180°
- (8) = solenoid coil can be repositioned 4 x 90°
- (9) = plug socket can be repositioned by 180°

Order number	ICKN-55-310-HN	ICKN-55-311-HN
Please complete according to order code.		
Function	3/2-way, normally closed single solenoid, air spring return	3/2-way, normally closed single solenoid, spring return
Connection	G1/4 at 1 and 3; flange to NAMUR at 2 and 3	
Nominal size	6 mm	
Flow rate	780 NI/min (0.793 Cv)	
Pressure range	3 ... 8 bar (43.5 ... 116 psi)	
Actuating force at 6 bar	on 16 ms off 18 ms	on 13 ms off 16 ms
Temperature range	- 30 °C ... + 50 °C (- 22 °F ... + 122 °F)	
Materials	Body: Al (anodized), Seals: FKM, Inner parts: Al, stainless steel, brass	
Medium	Compressed air in accordance with ISO 8573-1:2001 Class 74-; free of aggressive additives	
Degree of protection	IP 65 according to EN 60529	
Weight	0.320 kg (0.705 lb)	

# Series ICKN-55

Low temperature valve, 5/2- and 5/3-way acc. to NAMUR  
G1/4 • 680 to 900 NI/min (0.691 to 0.915 Cv)



## Order code

ICKN-55-510-HN-742

Series and function

Coil options

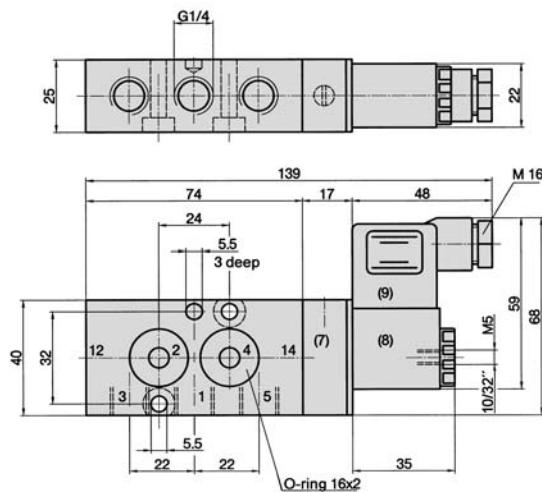
<b>Standard coil</b> <sup>1)</sup>	<b>Without coil and plug socket</b>
<b>742</b> = 24 V DC, 4.8 W	<b>560</b> = Power consumption 2.5 W
<b>752</b> = 24 V AC, 7/4 VA	
<b>756</b> = 115 V AC, 7/4 VA	<b>Coils with M12 connector and LED</b>
<b>757</b> = 230 V AC, 7/4 VA	<b>O62</b> = 24 V DC, 2.5 W
<b>762</b> = 24 V DC, 2.5 W	

<sup>1)</sup> Plug socket(s) not included in scope of delivery (see page 6.002).

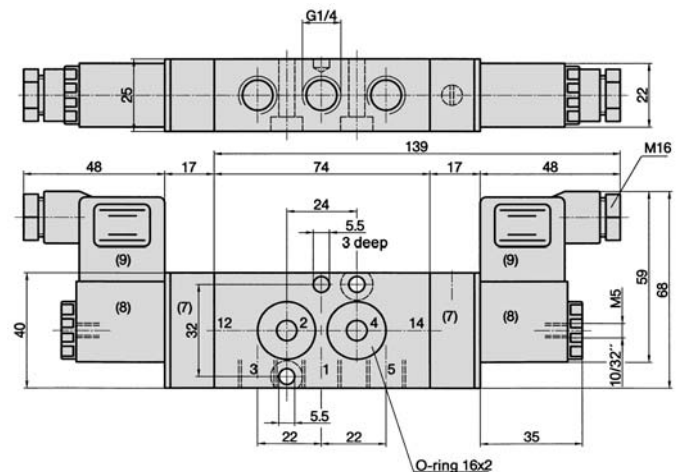
### Design, function and technical data

Spool valve for double acting actuators switched by an electrical signal.  
The locating pin, screws and seals are included.  
Other voltages on request.

#### ICKN-55-510-HN, ICKN-55-511-HN



#### ICKN-55-520-HN, ICKN-55-530-HN, ICKN-55-533-HN




- 1 = pressure inlet
- 2, 4 = outlets
- 3, 5 = exhausts
- (7) = manual override (detent) can be repositioned by 180°
- (8) = solenoid coil can be repositioned 4 x 90°
- (9) = plug socket can be repositioned by 180°

Order number	ICKN-55-510-HN	ICKN-55-511-HN	ICKN-55-520-HN	ICKN-55-530-HN	ICKN-55-533-HN
Please complete according to order code.					
Function	5/2-way single solenoid air spring return	5/2-way single solenoid spring return	5/2-way double solenoid	5/3-way center position closed	5/3-way center position exhausted
Connection	G1/4 at 1, 3 and 5; flange to NAMUR at 2 and 4				
Nominal size	6 mm				
Flow rate	900 NI/min (0.915 Cv)	800 NI/min (0.813 Cv)	900 NI/min (0.915 Cv)	680 NI/min (0.691 Cv)	
Pressure range	3 ... 8 bar (43.5 ... 116 psi)		2... 8 bar (29...116 psi)	3 ... 8 bar (43.5 ... 116 psi)	
Actuating force at 6 bar	on 16 ms off 17 ms	on 16 ms off 18 ms	14 ms	on 14 ms off 16 ms	
Temperature range	- 30 °C ... + 50 °C (- 22 °F ... + 122 °F)				
Materials	Body: Al (anodized), Seals: FKM, Inner parts: Al, stainless steel, brass				
Medium	Compressed air in accordance with ISO 8573-1:2001 Class 74-; free of aggressive additives				
Degree of protection	IP 65 according to EN 60529				
Weight	0.320 kg (0.705 lb)		0.440 kg (0.970 lb)		

## Solenoid coils, actuators

### Solenoid coils, actuators

<b>Solenoid coils</b>	<b>23-SP-011-1-...</b>	Humidity resistant coil	page 4.280
	<b>23-SP-012-1-...</b>	Humidity resistant coil with 2,5 W power consumption	page 4.280
	<b>23-SP-011-5-O12</b>	Coil with M12 plug connection, 4,8 W, LED and circuit protection	page 4.282
	<b>23-SP-012-5-O32</b>	Coil with M12 plug connection, 2,5 W, LED and circuit protection	page 4.282
<b>Actuators</b>	 - <b>explosion proof</b>	Valves with explosion proof actuator see chapter 13	
	<b>23-R-032</b>	Actuator in stainless steel	
	<b>23-R-023</b>	Actuator for low temperature	
<b>Plug sockets</b>	<b>28-ST-01</b>	Standard plug socket	page 4.283
	<b>28-ST-04-...</b>	Plug socket with LED	page 4.283
	<b>28-ST-06-...</b>	Plug socket with LED and circuit protection	page 4.283
	<b>28-ST-06-K3-...</b>	Plug socket with LED, circuit protection and cable	page 4.283

#### User information

Make sure that the coils with the right power consumption are used.

#### The following types are available on request

Coils and sockets with contacts according to DIN EN 175301-803 type B (U-form).  
Plug sockets with molded cable.