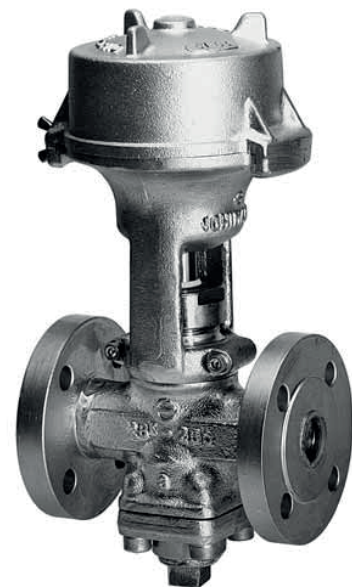
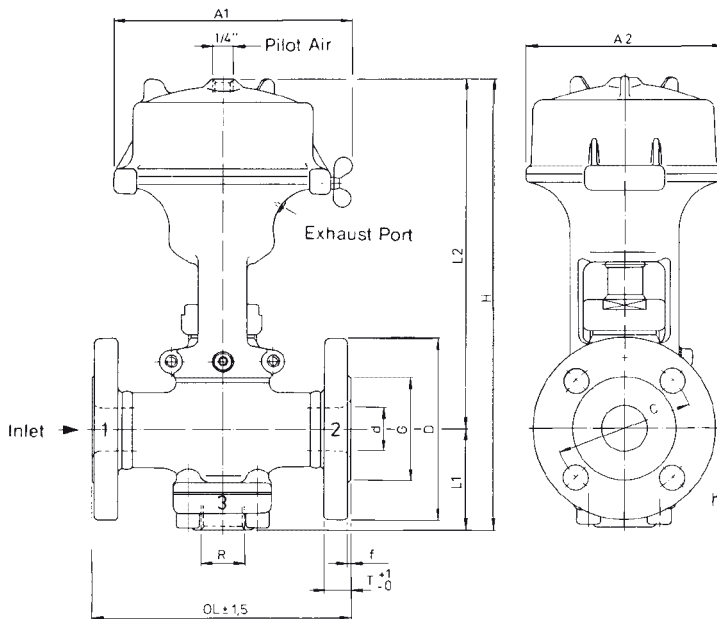


Description

These valves are designed for the use with Steam, Hot Water, Cold Water, Air, Gas or on Vacuum Service. It is possible to change from a 2-way valve into a 3-way valve or vice versa by adding or removing the plug (item 36). Certain valves sizes may be equipped with a flange on port "3" (see catalogue pages E 20/E 21).

| | |
|---|--|
| Operating Pressure: max. 32 bar (460 PSI) | Material of Body: stainless steel casting |
| Pilot Pressure: 2.5 – 3.5 bar (36 – 51 PSI) | Material of Stem and Seat: stainless steel |
| Temperature Range: – 30° C to + 205° C (– 22° F. to 401° F.) | Material of Packing: graphite-reinforced teflon |

Dimensions (mm)



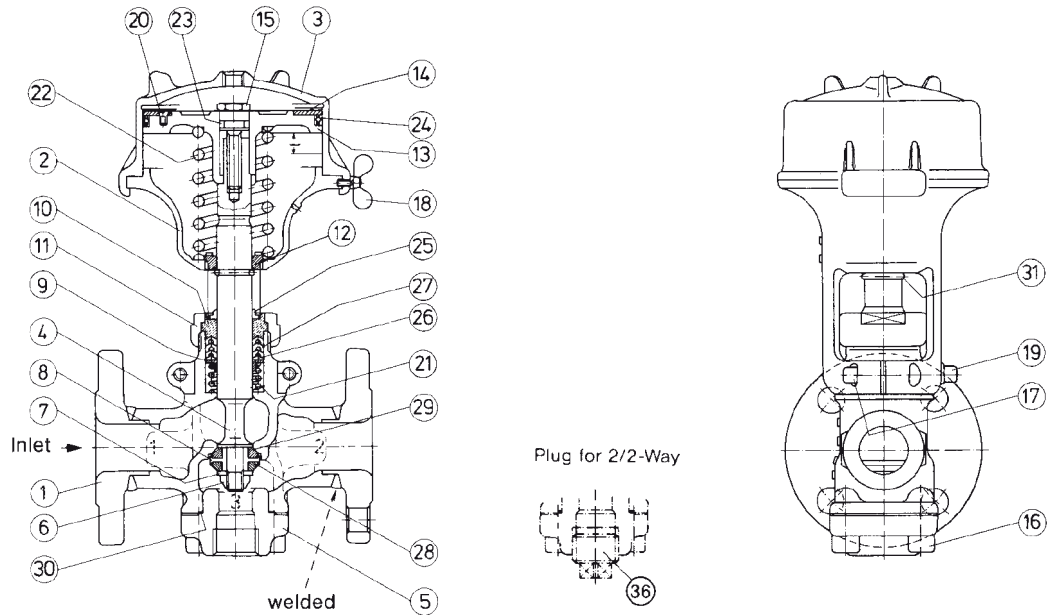
The flange dimensions on this page are according to DIN-Standard 2635. On request the valves are also available with either ANSI- or JIS-flanges. Sizes 65 and 75 are available on request. Size 50: No Wing Head Screw Assembly.

Model Selection Chart

Flow-Values see page E 55.

| Model No. of 2-way | Model No. of 3-way | Size d | A1 | A2 | C | D | f | G | H | h | L1 | L2 | I | OL | R | T | Weight lbs | Weight kg |
|--------------------|--------------------|--------|-----|-----|-------|-----|-----|----|-------|----|-----|-------|----|-----|--------|------|------------|-----------|
| TPC-2212-15D | TPC-2312-15D | 15 | 119 | 82 | 66.5 | 95 | 1.6 | 35 | 203.5 | 15 | 50 | 153.5 | 10 | 140 | 1/2" | 14.3 | 9.2 | 4.2 |
| TPC-2212-20D | TPC-2312-20D | 20 | 138 | 100 | 82.5 | 117 | 1.6 | 43 | 255.5 | 19 | 66 | 189.5 | 13 | 150 | 3/4" | 16.0 | 13.2 | 6.0 |
| TPC-2212-25D | TPC-2312-25D | 25 | 168 | 128 | 89.0 | 124 | 1.6 | 51 | 301.0 | 19 | 71 | 230.0 | 17 | 170 | 1" | 17.5 | 22.0 | 10.0 |
| TPC-2212-32D | TPC-2312-32D | 32 | 182 | 142 | 98.5 | 133 | 1.6 | 64 | 339.5 | 19 | 91 | 248.5 | 18 | 190 | 1 1/4" | 19.1 | 29.8 | 13.5 |
| TPC-2212-40D | TPC-2312-40D | 40 | 216 | 168 | 114.5 | 156 | 1.6 | 73 | 392.0 | 22 | 91 | 301.0 | 23 | 200 | 1 1/2" | 20.7 | 41.9 | 19.0 |
| TPC-2212-50D | TPC-2312-50D | 50 | 208 | 208 | 127.0 | 165 | 1.6 | 92 | 418.0 | 19 | 100 | 318.0 | 25 | 230 | 2" | 22.3 | 55.1 | 25.0 |

Parts List



Repair Kits include items 25, 27, 28, 29 and 30.
For order information refer to page E 27.

Designs and Specifications are subject to change without notice

| Valve Model No. | | TPC-2212-15D | TPC-2212-20D | TPC-2212-25D | TPC-2212-32D | TPC-2212-40D | TPC-2212-50D |
|-----------------|---------------------------------|--------------|--------------|--------------|--------------|--------------|--------------|
| Size | | TPC-2312-15D | TPC-2312-20D | TPC-2312-25D | TPC-2312-32D | TPC-2312-40D | TPC-2312-50D |
| | | 15 | 20 | 25 | 32 | 40 | 50 |
| Key No. | Part Name | Part Number | | | | | |
| 1 | Body, DIN-flange | C-21215-01D | C-21220-01D | C-21225-01D | C-21232-01D | C-21240-01D | C-21250-01D |
| 2 | Yoke | C-21115-02 | C-21120-02 | C-21125-02 | C-21132-02 | C-21140-02 | C-21150-02 |
| 3 | Cylinder, NPT-tapped | C-21115-03N | C-21120-03N | C-21125-03N | C-21132-03N | C-21140-03N | C-21150-03N |
| | Cylinder, BSP-tapped | C-21115-03B | C-21120-03B | C-21125-03B | C-21132-03B | C-21140-03B | C-21150-03B |
| 4 | Stem | C-21115-04 | C-21120-04 | C-21125-04 | C-21132-04 | C-21140-04 | C-21150-04 |
| 5 | Lower Seat, NPT-tapped | C-21115-05N | C-21120-05N | C-21125-05N | C-21132-05N | C-21140-05N | C-21150-05N |
| | Lower Seat, BSP-tapped | C-21115-05B | C-21120-05B | C-21125-05B | C-21132-05B | C-21140-05B | C-21150-05B |
| 6 | U-Nut | C-21115-06 | C-21120-06 | C-21125-06 | C-21132-06 | C-21140-06 | C-21150-06 |
| 7 | Guide Washer | C-21115-07 | C-21120-07 | C-21125-07 | C-21132-07 | C-21140-07 | C-21150-07 |
| 8 | Disc Adapter | C-21115-08 | C-21120-08 | C-21125-08 | C-21132-08 | C-21140-08 | C-21150-08 |
| 9 | Ring Washer | C-21115-09 | C-21120-09 | C-21125-09 | C-21132-09 | C-21140-09 | C-21150-09 |
| 10 | Gland | C-21115-10 | C-21120-10 | C-21125-10 | C-21132-10 | C-21140-10 | C-21150-10 |
| 11 | Gland Nut | C-21115-11 | C-21120-11 | C-21125-11 | C-21132-11 | C-21140-11 | C-21150-11 |
| 12 | Guide Bushing | C-21115-12 | C-21120-12 | C-21125-12 | C-21132-12 | C-21140-12 | C-21150-12 |
| 13 | Piston | C-21115-13 | C-21120-13 | C-21125-13 | C-21132-13 | C-21140-13 | C-21150-13 |
| 14 | Ring Plate | C-21115-14 | C-21120-14 | C-21125-14 | C-21132-14 | C-21140-14 | C-21150-14 |
| 15 | Hex. Head Screw | C-21115-15 | C-21120-15 | C-21125-15 | C-21132-15 | C-21140-15 | C-21150-15 |
| 16 | Socket Head Cap Screw (4) | C-21115-16 | C-21120-16 | C-21125-16 | C-21132-16 | C-21140-16 | C-21150-16 |
| 17 | Socket Head Cap Screw (2) | C-21115-17 | C-21120-17 | C-21125-17 | C-21132-17 | C-21140-17 | C-21150-17 |
| 18 | Wing Head Screw or Socket Screw | C-21115-18 | C-21120-18 | C-21125-18 | C-21132-18 | C-21140-18 | C-21150-18 |
| 19 | Socket Head Cap Screw | C-21115-19 | C-21120-19 | C-21125-19 | C-21132-19 | C-21140-19 | C-21150-19 |
| 20 | Flat Head Screw (2 – 4) | C-21115-20 | C-21120-20 | C-21125-20 | C-21132-20 | C-21140-20 | C-21150-20 |
| 21 | Packing Spring | C-21115-21 | C-21120-21 | C-21125-21 | C-21132-21 | C-21140-21 | C-21150-21 |
| 22 | Spring | C-21115-22 | C-21120-22 | C-21125-22 | C-21132-22 | C-21140-22 | C-21150-22 |
| 23 | O-Ring | C-21115-23 | C-21120-23 | C-21125-23 | C-21132-23 | C-21140-23 | C-21150-23 |
| 24 | Piston Ring | C-21115-24 | C-21120-24 | C-21125-24 | C-21132-24 | C-21140-24 | C-21150-24 |
| 25 | Dust Seal | C-21115-25 | C-21120-25 | C-21125-25 | C-21132-25 | C-21140-25 | C-21150-25 |
| 26 | Adapter | C-21115-26 | C-21120-26 | C-21125-26 | C-21132-26 | C-21140-26 | C-21150-26 |
| 27 | M-type Packing | C-21115-27 | C-21120-27 | C-21125-27 | C-21132-27 | C-21140-27 | C-21150-27 |
| 28 | Disc Ring 'A' | C-21115-28 | C-21120-28 | C-21125-28 | C-21132-28 | C-21140-28 | C-21150-28 |
| 29 | Disc Ring 'B' | | | | | | |
| 30 | Lower Seat Gasket | C-21115-30 | C-21120-30 | C-21125-30 | C-21132-30 | C-21140-30 | C-21150-30 |
| 31 | Indicator Ring | C-21115-31 | C-21120-31 | C-21125-31 | C-21132-31 | C-21140-31 | - |
| 36 | Plug, NPT-tapped | C-21115-36N | C-21120-36N | C-21125-36N | C-21132-36N | C-21140-36N | C-21150-36N |
| | Plug, BSP-tapped | C-21115-36B | C-21120-36B | C-21125-36B | C-21132-36B | C-21140-36B | C-21150-36B |